



**DELTA  
FIRE**



# DPOM1900 PORTABLE OSCILLATING MONITOR

## KEY USERS

- Fire & Rescue Services
- Petrochemicals
- Fuel Storage Sites
- Oil & Gas
- Marine
- Major Industrials

## KEY FACTS

- Automatic Oscillation
- Simple & Quick Operation
- Highly Maneuverable
- Unmanned Operation
- Compact & Lightweight
- Adjustable Elevation & Rotation
- Ball Shut-Off with Locking Handle



**Compact Storage  
When Folded**

Doc Ref: DDS045



**DELTA FIRE**

Wendover Road, Rackheath Industrial Estate, Norwich, Norfolk, UK NR13 6LH  
T: +44 (0)1603 735000 | E: sales@deltafire.co.uk | E: export@deltafire.co.uk  
[deltafire.co.uk](http://deltafire.co.uk)



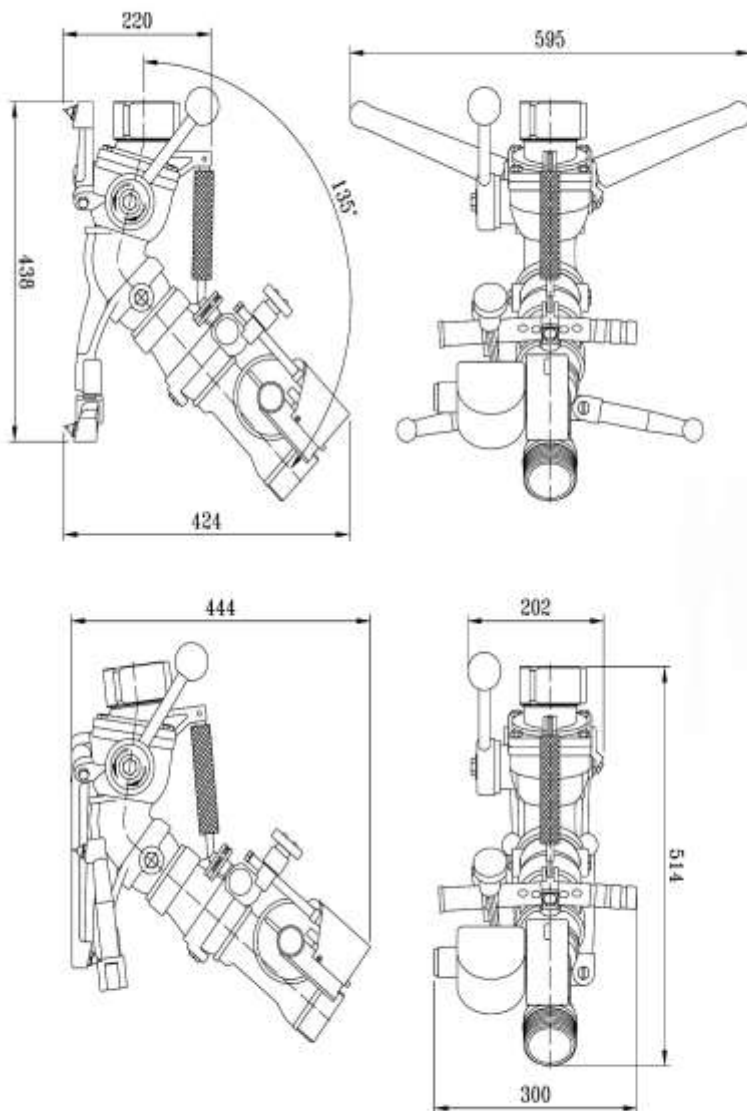
## GENERAL DESCRIPTION

The Delta **DPOM1900 Oscillating Portable Monitor** is extremely compact and lightweight lending itself to easy one-man deployment. Once sited in the optimum position to target the risk the DPOM1900 can be left unmanned thanks to its low profile, stable design saving on man power.

Widely used by Professional Fire Services the DPOM1900 is suited to a wide range of industry sectors including Fuel Storage Sites, Petrochemical Facilities, Waste Recycling & Bio-Mass Plants, Timber Yards and multiple Marine applications.

The spiked legs aid grip on most surfaces and fold away neatly after use for ease of stowage. Elevation between 30° and 60° is possible with rotation via a water driven motor which sweeps the nozzle side to side automatically at 20°, 30° or 40°. This function can be disengaged to allow a wider sweep.

Supplied as standard with 2½" BSP female BSP inlet, the DPOM1900 can be fitted with any International inlet adaptors for compatibility to existing hose lines.



## TECHNICAL DATA

Body Material	Hard Anodised Powder Coated Aluminium
Finish	Red Powder-Coated Body & Legs
Maximum Flow	1900 LPM (500 GPM)
Maximum Safe Operation	10 bar (150PSI)
Elevation	30° to 60°
	Automatic Oscillation of 20°, 30° or 40° (wider if disengaged)
Inlet	2½" BSP Female (Any International Fitting Available)
Outlet	2 ½" BSP Male
Weight	13Kgs



### DELTA FIRE

Wendover Road, Rackheath Industrial Estate, Norwich, Norfolk, UK NR13 6LH  
 T: +44 (0)1603 735000 | E: sales@deltafire.co.uk | E: export@deltafire.co.uk  
[deltafire.co.uk](http://deltafire.co.uk)

